

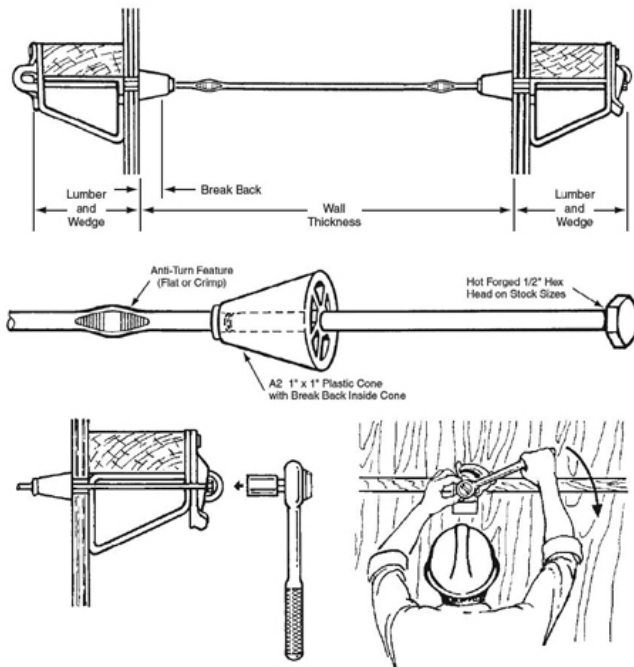
TECHNICAL DATA SHEET

DESCRIPTION

Dayton Superior A4H Hex Head Snap Ties are manufactured with hot forged integral 1/2" (1.27mm) hex shaped heads.

APPLICATION

The hex head allows short-end snap ties to be broken back with the formwork still in place.



FEATURES

- Safe Working Load (SWL) 2,250 lbs / 10 KN
- SWL provides a factor of safety of approximately 2 to 1
- Hex head measures 1/2" (1.27mm) across flats
- Standard A4H uses 1" x 1" (2.54mm x 2.54mm) A2 Plastic Cones to provide a nominal 1" (2.54mm) breakback
- Other size cones are available on special order

INSTALLATION

1. Place a 1/2" six-point socket and ratchet over the head of the tie (A31 Hex Head Snap Tie Socket).
2. Push the bracket eccentric away from the tie head.
3. Standing in front of the tie, hold the socket on the hex head with one hand and turn the ratchet with the other. A 1/4 to 1/2 turn of the ratchet normally breaks the tie end.

RELATED PRODUCTS

- A2 Plastic Cones
- A3 Heavy Snap Tie
- A31 Wrench Head Snap Tie Socket

HOW TO ORDER

- A4H Hex Head is a made to order item. Please call for availability, lead time and pricing.

ORDERING INFORMATION

SNAP TIES - W/ 1-1/4" CUPPED LOOSE WASHER

Product Code	Description	Weight
14506	A3 STD - 6 X 1-3/16 L&W - W/ 1-1/4" CUPPED LOOSE WASHER	0.160 LB
14508	A3 STD - 8 X 1-3/16 L&W - W/ 1-1/4" CUPPED LOOSE WASHER	0.180 LB
14225	A3 STD - 6 X 1-5/8 L&W - W/ 1-1/4" CUPPED LOOSE WASHER	0.170 LB
14227	A3 STD - 8 X 1-5/8 L&W - W/ 1-1/4" CUPPED LOOSE WASHER	0.190 LB
14232	A3 STD - 6 X 4-3/4 L&W - W/ 1-1/4" CUPPED LOOSE WASHER	0.240 LB
14236	A3 STD - 8 X 4-3/4 L&W - W/ 1-1/4" CUPPED LOOSE WASHER	0.260 LB
14242	A3 STD - 10 X 4-3/4 L&W - W/ 1-1/4" CUPPED LOOSE WASHER	0.280 LB
14245	A3 STD - 12 X 4-3/4 L&W - W/ 1-1/4" CUPPED LOOSE WASHER	0.300 LB
14246	A3 STD - 14 X 4-3/4 L&W - W/ 1-1/4" CUPPED LOOSE WASHER	0.330 LB
14252	A3 STD - 16 X 4-3/4 L&W - W/ 1-1/4" CUPPED LOOSE WASHER	0.350 LB
14255	A3 STD - 18 X 4-3/4 L&W - W/ 1-1/4" CUPPED LOOSE WASHER	0.370 LB
14261	A3 STD - 24 X 4-3/4 L&W - W/ 1-1/4" CUPPED LOOSE WASHER	0.440 LB
14342	A3 STD - 8 X 5-1/8 L&W - W/ 1-1/4" CUPPED LOOSE WASHER	0.270 LB
14254	A3 STD - 8 X 8-1/4 L&W - W/ 1-1/4" CUPPED LOOSE WASHER	0.340 LB
14263	A3 STD - 12 X 8-1/4 L&W - W/ 1-1/4" CUPPED LOOSE WASHER	0.390 LB

SNAP TIES - W/ 1-1/4" FLAT FIXED WASHER

Product Code	Description	Weight
14101	A3 STD - 6 X 1-3/16 L&W - W/ 1-1/4" FLAT FIXED WASHER	0.160 LB
14104	A3 STD - 8 X 1-3/16 L&W - W/ 1-1/4" FLAT FIXED WASHER	0.180 LB
14116	A3 STD - 6 X 1-5/8 L&W - W/ 1-1/4" FLAT FIXED WASHER	0.170 LB
14118	A3 STD - 8 X 1-5/8 L&W - W/ 1-1/4" FLAT FIXED WASHER	0.190 LB
14120	A3 STD - 10 X 1-5/8 L&W - W/ 1-1/4" FLAT FIXED WASHER	0.210 LB
14148	A3 STD - 8 X 4-3/4 L&W - W/ 1-1/4" FLAT FIXED WASHER	0.260 LB
14332	A3 STD - 8 X 5-1/8 L&W - W/ 1-1/4" FLAT FIXED WASHER	0.270 LB

TECHNICAL DATA SHEET

SNAP TIES - W/ METAL SPREADER

Product Code	Description	Weight
15000	A3 STD - 6" X 4-3/4" L&W - W/ METAL SPREADER	0.225 LB
15006	A3 STD - 8" X 4-3/4" L&W - W/ METAL SPREADER	0.244 LB
15012	A3 STD - 10" X 4-3/4" L&W - W/ METAL SPREADER	0.265 LB
15018	A3 STD - 12" X 4-3/4" L&W - W/ METAL SPREADER	0.287 LB
15030	A3 STD - 16" X 4-3/4" L&W - W/ METAL SPREADER	0.344 LB
15036	A3 STD - 18" X 4-3/4" L&W - W/ METAL SPREADER	0.365 LB
15044	A3 STD - 24" X 4-3/4" L&W - W/ METAL SPREADER	0.427 LB
15150	A3 STD - 6" X 8-1/4" L&W - W/ METAL SPREADER	0.304 LB
15153	A3 STD - 7" X 8-1/4" L&W - W/ METAL SPREADER	0.310 LB
15156	A3 STD - 8" X 8-1/4" L&W - W/ METAL SPREADER	0.320 LB
15159	A3 STD - 9" X 8-1/4" L&W - W/ METAL SPREADER	0.333 LB
15162	A3 STD - 10" X 8-1/4" L&W - W/ METAL SPREADER	0.345 LB
15168	A3 STD - 12" X 8-1/4" L&W - W/ METAL SPREADER	0.368 LB
15171	A3 STD - 13" X 8-1/4" L&W - W/ METAL SPREADER	0.385 LB
15174	A3 STD - 14" X 8-1/4" L&W - W/ METAL SPREADER	0.390 LB
15177	A3 STD - 15" X 8-1/4" L&W - W/ METAL SPREADER	0.400 LB
15180	A3 STD - 16" X 8-1/4" L&W - W/ METAL SPREADER	0.410 LB
15186	A3 STD - 18" X 8-1/4" L&W - W/ METAL SPREADER	0.438 LB
15194	A3 STD - 24" X 8-1/4" L&W - W/ METAL SPREADER	0.516 LB
15200	A3 STD - 30" X 8-1/4" L&W - W/ METAL SPREADER	0.620 LB
15206	A3 STD - 36" X 8-1/4" L&W - W/ METAL SPREADER	0.612 LB

SNAP TIES - W/ 1" X 1" PLASTIC CONES

Product Code	Description	Weight
15403	A3 STD - 7 X 4-3/4 L&W - W/ 1" X 1" PLASTIC CONE	0.225 LB
15404	A3 STD - 7-5/8 X 4-3/4 L&W - W/ 1" X 1" PLASTIC CONE	0.240 LB
15416	A3 STD - 11 X 4-3/4 L&W - W/ 1" X 1" PLASTIC CONE	0.272 LB
15453	A3 STD - 7 X 8-1/4 L&W - W/ 1" X 1" PLASTIC CONE	0.310 LB
15454	A3 STD - 7-5/8 X 8-1/4 L&W - W/ 1" X 1" PLASTIC CONE	0.315 LB
15300	A4H HEX STD - 6" X 4-3/4" L&W - W/ 1" X 1" PLASTIC CONE	0.219 LB
700052	A4H HEX STD - 8" X 4-3/4" L&W - W/ 1" X 1" PLASTIC WASHER	0.258 LB
15306	A4H HEX STD - 8" X 4-3/4" L&W - W/ 1" X 1" PLASTIC CONE	0.240 LB
15309	A4H HEX STD - 9" X 4-3/4" L&W - W/ 1" X 1" PLASTIC CONE	0.250 LB
15312	A4H HEX STD - 10" X 4-3/4" L&W - W/ 1" X 1" PLASTIC CONE	0.260 LB
15315	A4H HEX STD - 11" X 4-3/4" L&W - W/ 1" X 1" PLASTIC CONE	0.270 LB
15318	A4H HEX STD - 12" X 4-3/4" L&W - W/ 1" X 1" PLASTIC CONE	0.290 LB
15324	A4H HEX STD - 14" X 4-3/4" L&W - W/ 1" X 1" PLASTIC CONE	0.300 LB
15327	A4H HEX STD - 15" X 4-3/4" L&W - W/ 1" X 1" PLASTIC CONE	0.337 LB
15330	A4H HEX STD - 16" X 4-3/4" L&W - W/ 1" X 1" PLASTIC CONE	0.330 LB
15336	A4H HEX STD - 18" X 4-3/4" L&W - W/ 1" X 1" PLASTIC CONE	0.355 LB
15340	A4H HEX STD - 20" X 4-3/4" L&W - W/ 1" X 1" PLASTIC CONE	0.393 LB
15344	A4H HEX STD - 24" X 4-3/4" L&W - W/ 1" X 1" PLASTIC CONE	0.440 LB
15350	A4H HEX STD - 30" X 4-3/4" L&W - W/ 1" X 1" PLASTIC CONE	0.520 LB
15367	A4H HEX STD - 6" X 8-1/4" L&W - W/ 1" X 1" PLASTIC CONE	0.300 LB
15370	A4H HEX STD - 8" X 8-1/4" L&W - W/ 1" X 1" PLASTIC CONE	0.322 LB
15371	A4H HEX STD - 9" X 8-1/4" L&W - W/ 1" X 1" PLASTIC CONE	0.333 LB
15372	A4H HEX STD - 10" X 8-1/4" L&W - W/ 1" X 1" PLASTIC CONE	0.393 LB
15375	A4H HEX STD - 12" X 8-1/4" L&W - W/ 1" X 1" PLASTIC CONE	0.369 LB
15377	A4H HEX STD - 14" X 8-1/4" L&W - W/ 1" X 1" PLASTIC CONE	0.392 LB
15378	A4H HEX STD - 15" X 8-1/4" L&W - W/ 1" X 1" PLASTIC CONE	0.419 LB
15379	A4H HEX STD - 16" X 8-1/4" L&W - W/ 1" X 1" PLASTIC CONE	0.415 LB
15381	A4H HEX STD - 18" X 8-1/4" L&W - W/ 1" X 1" PLASTIC CONE	0.450 LB
15383	A4H HEX STD - 20" X 8-1/4" L&W - W/ 1" X 1" PLASTIC CONE	0.450 LB
15387	A4H HEX STD - 24" X 8-1/4" L&W - W/ 1" X 1" PLASTIC CONE	0.500 LB
15393	A4H HEX STD - 30" X 8-1/4" L&W - W/ 1" X 1" PLASTIC CONE	0.580 LB

TECHNICAL DATA SHEET**MANUFACTURER**

Dayton Superior Corporation
1125 Byers Road
Miamisburg, OH 45342
Customer Service: 888-977-9600
Technical Services: 877-266-7732
Website: www.daytonsuperior.com

WARRANTY (ACCESSORIES)

Limited Warranty. Dayton warrants, for a period of 60 days from the date of shipment (three years from the date of shipment in the case of formwork, excluding any consumable Products included with such formwork), that Products and any associated application drawings and engineering services provided by Dayton ("Ancillary Services") will be free from defects in material and workmanship and, in the case of custom designed formwork, that the formwork will meet the specifications set forth in the design drawings approved by Dayton and Customer. Any claim under this warranty must be made in writing within such warranty period. If any Product and/or Ancillary Service covered by a timely claim are found to be defective, Dayton will, within a reasonable time, make any necessary repairs or corrections or, at Dayton's option, replace the Product. Unless pre-authorized by Dayton in writing, Dayton will not accept any charges for correcting defects or accept the return of any Product. This warranty will not apply to any Products that have been subjected to misuse, neglect, storage damage, misapplication, accident or any other damage caused by any person other than Dayton, or that have not been maintained in accordance with Dayton's specifications. THIS LIMITED WARRANTY IS IN LIEU OF ALL OTHER WARRANTIES AS TO THE PRODUCTS AND ANCILLARY SERVICES. DAYTON MAKES NO OTHER WARRANTIES OR GUARANTEES, EXPRESS OR IMPLIED, INCLUDING ANY WARRANTY OF MERCHANTABILITY, FITNESS FOR A PARTICULAR PURPOSE OR OTHERWISE. THE REMEDIES SET FORTH IN THIS SECTION ARE CUSTOMER'S EXCLUSIVE REMEDY FOR BREACH OF WARRANTY.