

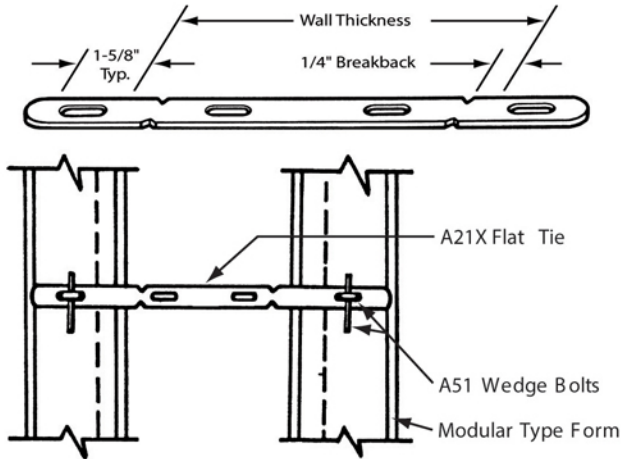
TECHNICAL DATA SHEET

DESCRIPTION

A21X Flat Ties are manufactured from high strength steel.

APPLICATION

A21X Flat Tie is used for securing and spacing modular type forms.



FEATURES

- A21X Flat Ties are used with A51 Wedge Bolts.
- Ties are available in 6" up to 84" in 1/2" increments.
- Standard breakback is 1/4".
- Safe Working Load is 3,000 lbs. for standard or 3,500 lbs. for heavy flat ties which provides a factor of safety of approximately 2 to 1.

RELATED PRODUCTS

- A51 Wedge Bolts

ORDERING INFORMATION

X FLAT TIE - STANDARD

Product Code	Description	Weight
F52204	4 " WALL SIZE	0.25 LB
F52205	5 " WALL SIZE	0.26 LB
F52206	6 " WALL SIZE	0.27 LB
F52207	7 " WALL SIZE	0.30 LB
F52208	8 " WALL SIZE	0.32 LB
F52209	9 " WALL SIZE	0.34 LB
F52210	10 " WALL SIZE	0.36 LB
F52211	11 " WALL SIZE	0.39 LB
F52212	12 " WALL SIZE	0.40 LB
F52213	13 " WALL SIZE	0.47 LB
F52214	14 " WALL SIZE	0.47 LB
F52215	15 " WALL SIZE	0.50 LB
F52216	16 " WALL SIZE	0.52 LB
F52217	17 " WALL SIZE	0.56 LB
F52218	18 " WALL SIZE	0.58 LB
F52219	19 " WALL SIZE	0.59 LB
F52220	20" WALL SIZE	0.60 LB
F52221	21" WALL SIZE	0.65 LB
F52222	22" WALL SIZE	0.68 LB
F52224	24" WALL SIZE	0.68 LB
F52228	28" WALL SIZE	0.82 LB
F52230	30" WALL SIZE	0.86 LB
F52232	32" WALL SIZE	0.91 LB
F52236	36" WALL SIZE	0.99 LB
F52248	48" WALL SIZE	1.29 LB

X FLAT TIE - HEAVY DUTY

Product Code	Description	Weight
F52508	8 " WALL SIZE	0.36 LB
F52510	10 " WALL SIZE	0.42 LB
F52512	12 " WALL SIZE	0.45 LB
F52514	14 " WALL SIZE	0.51 LB
F52516	16 " WALL SIZE	0.56 LB
F52518	18 " WALL SIZE	0.67 LB
F52530	30" WALL SIZE	0.92 LB
F52536	36" WALL SIZE	1.12 LB

TECHNICAL DATA SHEET
X FLAT TIE - STANDARD

Product Code	Description	Weight
F52204	4 " WALL SIZE	0.25 LB
F52205	5 " WALL SIZE	0.26 LB
F52206	6 " WALL SIZE	0.27 LB
F52207	7 " WALL SIZE	0.30 LB
F52208	8 " WALL SIZE	0.32 LB
F52209	9 " WALL SIZE	0.34 LB
F52210	10 " WALL SIZE	0.36 LB
F52211	11 " WALL SIZE	0.39 LB
F52212	12 " WALL SIZE	0.40 LB
F52213	13 " WALL SIZE	0.47 LB
F52214	14 " WALL SIZE	0.47 LB
F52215	15 " WALL SIZE	0.50 LB
F52216	16 " WALL SIZE	0.52 LB
F52217	17 " WALL SIZE	0.56 LB
F52218	18 " WALL SIZE	0.58 LB
F52219	19 " WALL SIZE	0.59 LB
F52220	20" WALL SIZE	0.60 LB
F52221	21" WALL SIZE	0.65 LB
F52222	22" WALL SIZE	0.68 LB
F52224	24" WALL SIZE	0.68 LB
F52228	28" WALL SIZE	0.82 LB
F52230	30" WALL SIZE	0.86 LB
F52232	32" WALL SIZE	0.91 LB
F52236	36" WALL SIZE	0.99 LB
F52248	48" WALL SIZE	1.29 LB

X FLAT TIE - HEAVY DUTY

Product Code	Description	Weight
F52508	8 " WALL SIZE	0.36 LB
F52510	10 " WALL SIZE	0.42 LB
F52512	12 " WALL SIZE	0.45 LB
F52514	14 " WALL SIZE	0.51 LB
F52516	16 " WALL SIZE	0.56 LB
F52518	18 " WALL SIZE	0.67 LB
F52530	30" WALL SIZE	0.92 LB
F52536	36" WALL SIZE	1.12 LB

WARRANTY (ACCESSORIES)

Limited Warranty. Dayton warrants, for a period of 60 days from the date of shipment (three years from the date of shipment in the case of formwork, excluding any consumable Products included with such formwork), that Products and any associated application drawings and engineering services provided by Dayton ("Ancillary Services") will be free from defects in material and workmanship and, in the case of custom designed formwork, that the formwork will meet the specifications set forth in the design drawings approved by Dayton and Customer. Any claim under this warranty must be made in writing within such warranty period. If any Product and/or Ancillary Service covered by a timely claim are found to be defective, Dayton will, within a reasonable time, make any necessary repairs or corrections or, at Dayton's option, replace the Product. Unless pre-authorized by Dayton in writing, Dayton will not accept any charges for correcting defects or accept the return of any Product. This warranty will not apply to any Products that have been subjected to misuse, neglect, storage damage, misapplication, accident or any other damage caused by any person other than Dayton, or that have not been maintained in accordance with Dayton's specifications. THIS LIMITED WARRANTY IS IN LIEU OF ALL OTHER WARRANTIES AS TO THE PRODUCTS AND ANCILLARY SERVICES. DAYTON MAKES NO OTHER WARRANTIES OR GUARANTEES, EXPRESS OR IMPLIED, INCLUDING ANY WARRANTY OF MERCHANTABILITY, FITNESS FOR A PARTICULAR PURPOSE OR OTHERWISE. THE REMEDIES SET FORTH IN THIS SECTION ARE CUSTOMER'S EXCLUSIVE REMEDY FOR BREACH OF WARRANTY.

MANUFACTURER

Dayton Superior Corporation
 1125 Byers Road
 Miamisburg, OH 45342
 Customer Service: 888-977-9600
 Technical Services: 877-266-7732
 Website: www.daytonsuperior.com